

# MUKI FF

## Front Face Jumbo for Narrow Vein

---



---

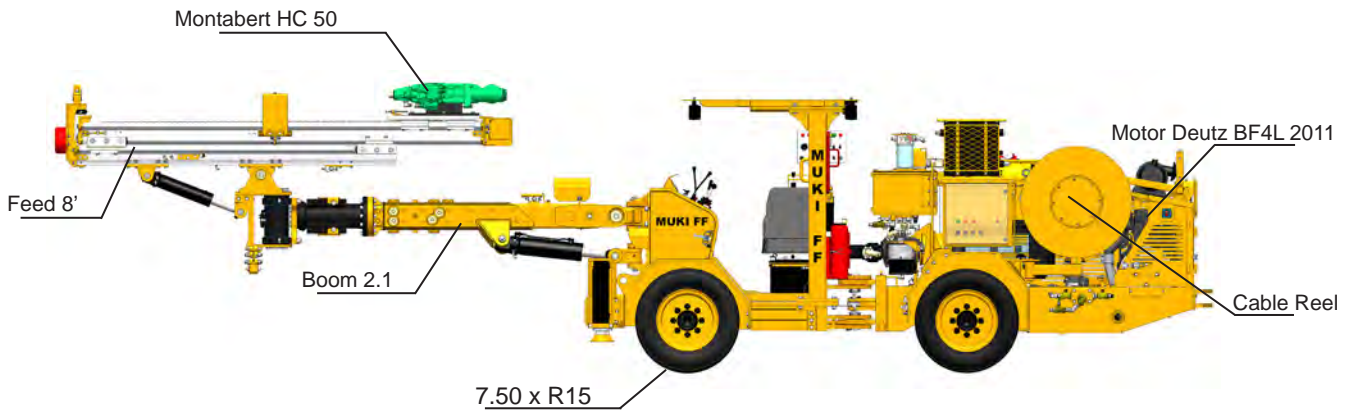
Front face drilling rig, electro-hydraulic, of 1.05 m width for tunneling in underground mining, for small sections from 1.5 width and 2.0 m height up to 3.5 x 3.5 m. The machine is prepared to make roof bolting with retracted telescopic feed. Also it can be used for scaling. Another applications is for Cut & Fill mining method.

It comes with hydraulic boom of square section. The standard is a telescopic feed: 4-7, 6-8, 5-8, 6-10 and 8-10. Equipped with Montabert drifter HC 50 (14 kW), female shank R32.

Chassis for heavy duty application, articulated 4WD, self-propelled diesel Deutz engine and Poclain hydrostatic transmission, electrohydraulic system for drilling.

---

# SPECIFICATIONS



## DRIFTER

• Model	Montabert HC50
• Percussion power	14 kW
• Percussion pressure	130 Bar
• Frequency percussion	62 Hz
• Rotation speed	0 - 195 rpm
• Rotation torque	415 Nm
• Hole diameter	33 - 64 mm
• Lub air consumption	83.3 l/s (to 7 bar)
• Lub oil consumption	0.8 cc/min
• Water consumption	25 l/min (to 8 bar)
• Shank adapter	R32 Female - T38 Male
• Weight	102 kg
• Length with shank	855 mm

## FEED

• Model	RE 2500 Series
• Advance drilling	Hydraulic motor and chain
• Telescopic feed 8-10	8-10 ft rods
• Options	
Telescopic feed 6-10	6-10 ft rods
Telescopic feed 8-10	6-8 ft rods
Simple feed 8	8 ft rods
Simple feed 10	10 ft rods

## BOOM

• Model	Boom 2.1
• Boom extension	1000 mm
• Angle lift	+45° / -20°
• Swing angle	± 30°
• Feed roll-over	360°
• Hydraulic cylinders	Parker
• Coverage area	18.4 m <sup>2</sup>

## ELECTRIC SYSTEM

• Electric motor	ABB - 55kW (75 HP)
• Voltages	380 - 440 - 550 - 690 - 1000 VAC
• Frequency	50 - 60 Hz
• Starting method	Star - Delta
• Option to 1000 VAC	Direct start
• Overload protection and ground fault	Schneider, Module VIGI
• Percussion horometer	In the control panel
• Phase sequence indicator	Siemens
• Battery charger	32 VAC, 300W, 13A
• Electric transformer	1.5 kVA
• Working lights	2X, LED N44, 50W, 6700 lm, 24 V
• Electric cable reel	60 m
• Electric cable	GGC - 3X2 - AWG (35 mm)
• Protection degree	IP 55

## MUKI FF for Semimechanized Roof Bolting





**CARRIER**

- Model C22.1
- Diesel engine Deutz BF4L2011, Tier II
- Power 55,1 kW @ 2300 rpm
- Exhaust catalyst Standard
- Transmission Hydrostatic
- Hydrostactic pump Poclain, MSE 08
- Positioning pump Rexroth
- Rear axle oscillating ± 8°
- Service brakes Separate
- Emergency and parking brakes SAHR (Spring Applied Hydraulic Release)
- Tyres 7.50 x R15
- Steering (articulated carrier) ±35°
- Hydraulic jacks 2 extendable front
- Battery 2x12 V, 90 Ah
- Electric system 24 VDC
- Gradeability 15%
- Tramming speed flat – 7.0 kph  
15% – 4.0 kph
- Canopy FOPS / ROPS
- Tramming lights 8X, LED N44, 50W, 6700 lm, 24 V
- Centralized lubrication system SKF
- Drilling lubrication system SKF
- Automatic fire suppression system ANSUL, 6 nozzles
- Fire extinguisher 1x5 lb, Type ABC
- High-pressure washing system
- Reel grease gun

**WATER AND AIR SYSTEM**

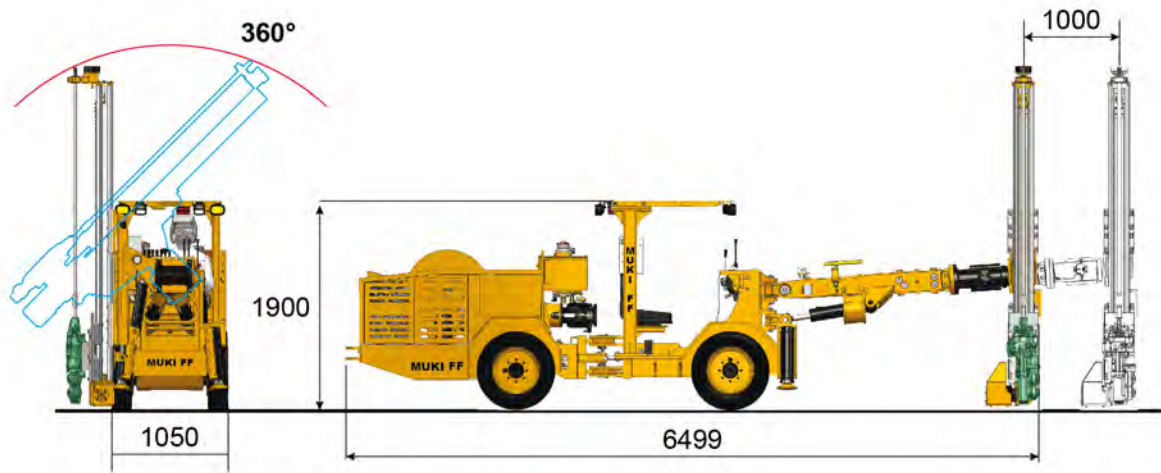
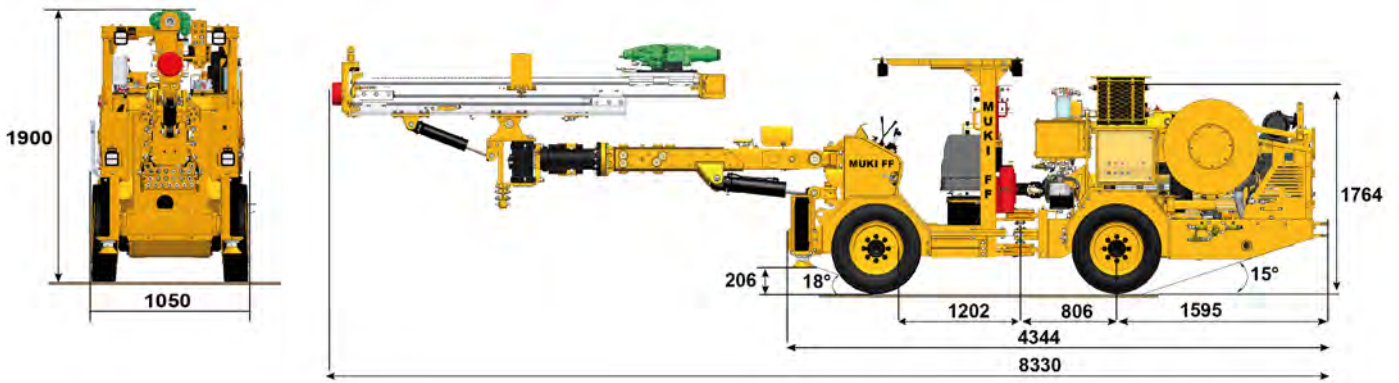
- Compressor LE3 3 - 10 UV
- Maximum capacity 5.1 l/s (10.8 CFM)
- Working pressure 3 bar
- Water pump with hydraulic motor Grundfoss, CR5 - 9
- Maximum capacity 6.9 m³/h
- Minimum inlet pressure 2 bar
- Bowman cooler FG-120, 48.8 GPM, 20 bar

**HYDRAULIC CONTROL SYSTEM**

- Direct Control Valve Parker KA-18
- Percussion pump (compensated pressure) Rexroth A10VO71
- Rotation Pump Parker, P315 A19
- Working pressure 180 bar
- Hydraulic oil tank volume 130 l
- Hydraulic return filter Parker, 10µ
- Hydraulic pressure filter Parker, 20µ
- Saturation hydraulic filter indicator Parker
- Indicator of low oil Hydac
- Indicator temperature oil Hydac



# DIMENSIONS (Muki FF with Telescopic Feed 8-10)



Total Weight	7,380 Kg.
--------------	-----------

## COVERAGE AREA

## TURN RADIO

