

BOLTER 88

Roof bolter for medium sized sections

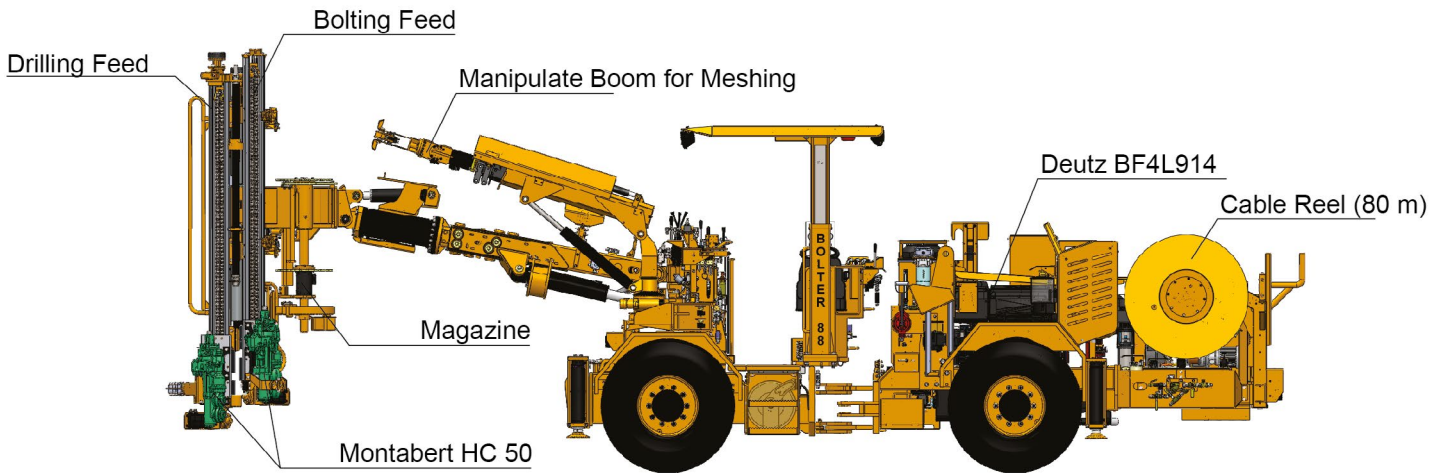


BOLTER 88 is a drilling rig for mechanized roof bolting and meshing in medium-sized sections, from 4x4 up to 7 m high.

Equipped with Bolting Turret T88 equipped with two Montabert HC 50 rock drill and Magazine of bolts. It can install Split Set bolts, Rebar with resin or cement cartridges, Mechanical, Swellex, Hydrabolt, Rockbolts and Python. The drilling feed has a centralizer design which works like Mesh Holder when the mesh is installed on pieces. An independent boom mesh manipulator is offered as an option, allows mechanized meshing all the entire operation combined in a safe way for the operator.

Chassis for heavy duty application, articulated 4WD, self-propelled with diesel, electro hydraulic system for drilling.

SPECIFICATIONS



DRIFTER (2 UNITS)

• Model	Montabert HC50
• Percussion Power	14 kW
• Percussion pressure	130 Bar
• Frequency Percussion	62 Hz
• Rotation speed	0 - 195 rpm
• Rotation Torque	415 Nm
• Hole diameter	33 - 64 mm
• Lub air consumption	83.3 l/s (to 2.5 bar)
• Lub oil consumption	0.8 cc/min
• Water consumption	25 l/min (to 8 bar)
• Shank Adapter	R32 Female
• Weight	102 kg
• Length with shank	855 mm

BOLTING TURRET

• Model	T88
• Magazine of bolts	7 unit of 20 cm plate
• Plate size	150 x 150 mm
• Option	200 x 200
• Drilling Feed	RE 1000 Series
• Feed extension	400 mm
• Advance drilling	Hydraulic motor and chain
• Coupling mesh clamp beam drilling	
• Manipulate boom for meshing	
• Capability to install all kinds of rock bolts	Split Set bolts, Rebar, Mechanical, Swellex, Hydrabolt and Python

CARRIER

• Model	C66
• Diesel Engine	Deutz BF4L914, Tier II, EPA II
• Power	72.4 kW @ 2300 rpm
• Exhaust catalyst	Standard
• Transmission	Hydrodynamics
• Powershift gearbox	Dana, T12000
• Axle front / rear	Dana, Serie 112
• Rear axle Oscillating	± 8°
• Positioning pump	Parker, P315 B
• Service brakes	Separate
• Emergency and parking brakes	SAHR (Spring Applied Hydraulic Release)
• Tyres	12.00 R 20
• Steering (articulated carrier)	±41°
• Hydraulic jacks	2 extendable front, 2 rear
• Battery	2x12 V, 90 Ah
• Electric system	24 VDC
• Gradeability	15%
• Canopy	FOPS / ROPS
• Trimming lights	8X, Halógeno 65W HD, 24 V
• Centralized Lubrication System	SKF
• Drilling Lubrication System	SKF
• Automatic fire suppression system	ANSUL, 6 boquillas
• Fire extinguisher	1x6kg, Tipo ABC
• High-pressure washing system	
• Reel grease gun	

BOOM (2 UNITS)

• Model	Boom 14,1
• Boom Extension	1000 mm
• Angle lift	+65° / -20°
• Swing angle	± 30°
• Rotation angle	360°
• Hydraulic cylinders	Parker

ELECTRIC SYSTEM

• Electric motor	ABB - 75HP/55kW
• Voltage	380 - 440 - 550 - 690 VAC
• Frequency	50 - 60 Hz
• Starting method	Star - Delta
• Option to 1000 VAC	Direct start
• Overload protection and ground fault	Schneider, Module VIGI En el tablero de control
• Percussion hour meter	Siemens
• Phase sequence indicator	32 VAC, 300W, 13A
• Battery charger	3,5 kVA
• Electric transformer	2X, LED N44, 50W, 6700 Im, 24 V
• Work Lights	90 m
• Electric wire reel	3X1/0 - AWG (50mm)
• Electric wire	IP 55
• Protection degree	

WATER AND AIR SYSTEM

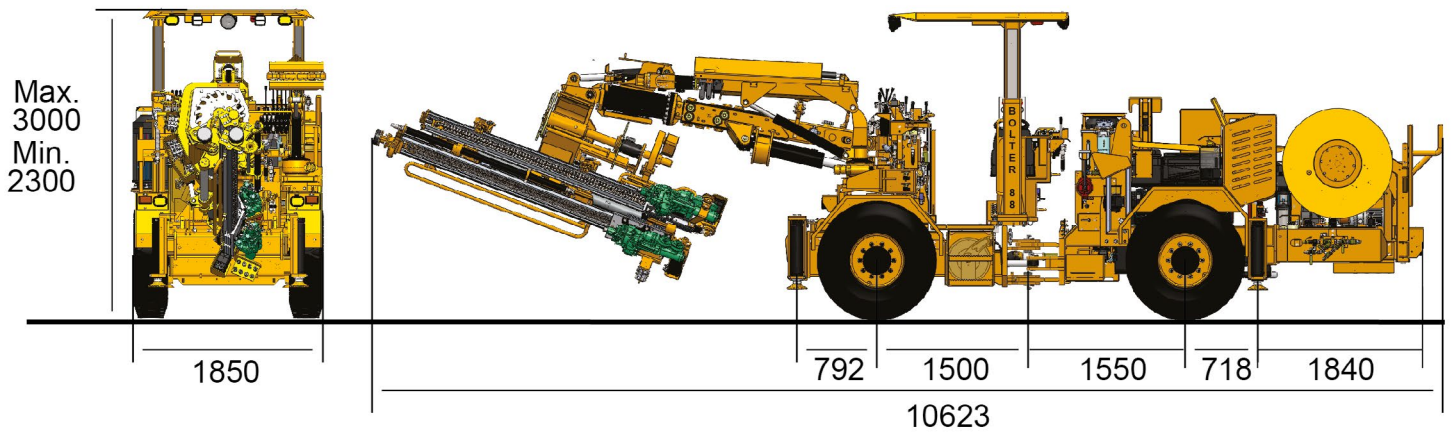
• Compressor	AC - GX 11 P
• Maximum capacity	28,3 l/s (58 CFM)
• Work pressure	10 Bar
• Water pump with hydraulic motor	Grundfoss, CR5 - 9
• Maximum flow at 8 Bar	6.9 m³/h
• Minimum inlet pressure	2 Bar
• Cooler Thermal Transfer	EK 1018T, 80 GPM, 34 Bar
• Air tank	60 l

HYDRAULIC CONTROL SYSTEM

• Direct Control Valve	Parker K18
• Percussion pump (compensated pressure)	Rexroth A10V071
• Rotation Pump	Parker, P315 A
• Work pressure	180 bar
• Hydraulic oil tank	130 l
• Hydraulic return filter	Parker, 10µ
• Hydraulic high filter	Parker, 20µ
• Saturation hydraulic filter indicator	Parker
• Indicator of low oil	Hydac
• Indicator temperature oil	Hydac

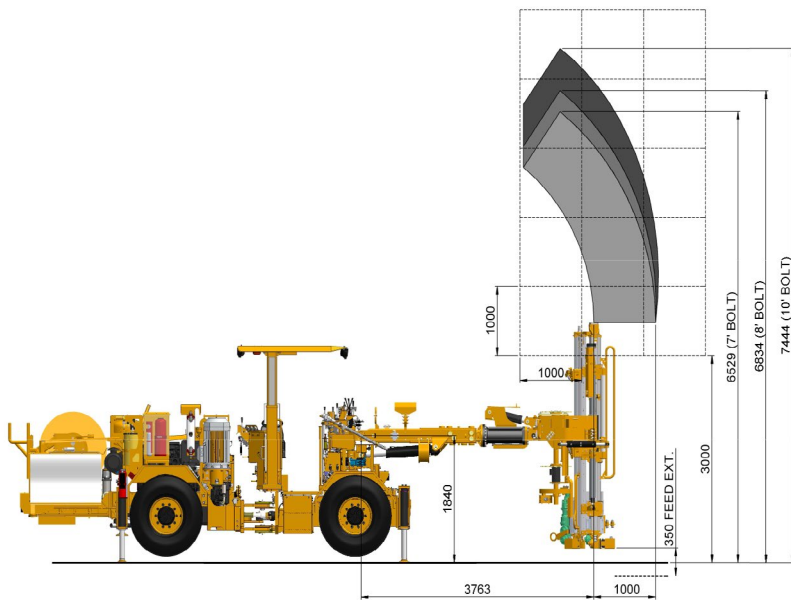


DIMENSIONS



Total Weight	14,920 Kg.
--------------	------------

COVERAGE AREA



TURN RADIO

