

MUKI BOLTER

Roof bolter for narrow vein

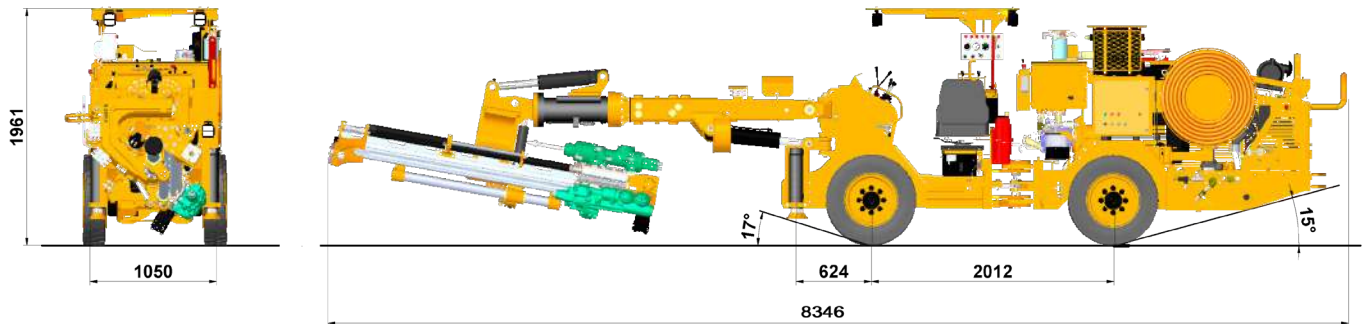


MUKI BOLTER is a drilling rig for mechanized roof bolting, allows efficient and safe reinforcement of structures roofs in underground mines, ideal for sections of 2.5 up to 3.5 m of height.

Equipped with Bolting Turret T99 to install Split Set bolts, Rebar with resin or cement cartridges, Mechanical, Swellex, Hydrabolt and Python. It can install bolts of 4, 5 and 6 ft of length.

Chassis for heavy duty application, articulated 4WD, self-propelled with Deutz diesel engine and Poclain hydrostatic transmission, electro hydraulic system for drilling.

SPECIFICATIONS



DRIFTER

- Model Montabert HC50
- Percussion power 14 kW
- Percussion pressure 130 Bar
- Application Drilling

- Model Montabert HC28
- Percussion power 10kW
- Percussion pressure 130 Bar
- Application Bolting

Option: the turret can be provided with 2 HC28

BOOM

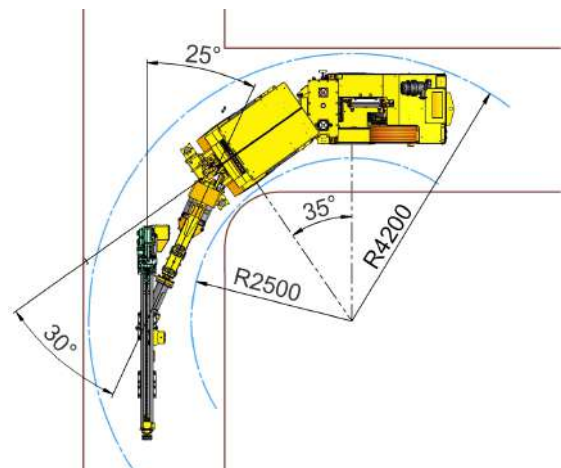
- Model Boom 2.1
- Boom extension 500 mm
- Angle lift +45° / -20°
- Swing angle ± 30°
- Feed roll-over 360°
- Hydraulic cylinders Parker
- Coverage area 18.4 m²

ELECTRIC SYSTEM

- Electric motor ABB - 55kW (75 HP)
- Voltage 380 - 440 - 550 - 690 - 1000 VAC
- Frequency 50 - 60 Hz
- Starting method Star - Delta
- Option to 1000 VAC Direct start
- Overload protection and ground fault Schneider, Module VIGI
- Percussion hour meter In the control panel
- Phase sequence indicator Siemens
- Battery charger 32 VAC, 300W, 13A
- Electric transformer 1.5 kVA
- Working lights 2X, LED N44, 50W, 6700 lm, 24 V
- Electric cable reel 60 m
- Electric cable GGC - 3X2 - AWG (35 mm)
- Protection degree IP 55

BOLTING TURRET

- Model T99
- Turret extension 250 mm
- Magazine of bolts 10 bolts
- Drilling feed RE 3000 Series
- Advance drilling Danfoss motor
- Coupling mesh clamp in the drilling feed
- Capable of installing all kind of bolts Split Set, Hydrabolt, Mechanical, Rebar, Swellex
- Turret standard 5 ft bolts
- Available for 4 and 6 ft



Turret Length Options

Bolt	Drill Rod	Total Length	Minimum Section
4'	5'	2.41m	2.6 x 2.6 m
5'	6'	2.71m	3.0 x 3.0 m
6'	7'	3.00m	3.3 x 3.3 m

