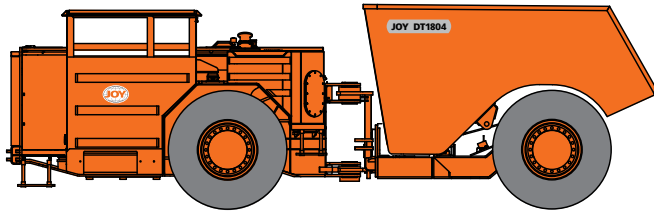




DT-1804

Haulage Truck



Capacities

Standard Payload	16,329 kg	36,000 lbs
Standard Box	8 m ³	10.4 yd ³

Weights/Standard*

Operating Weight	20,500 kg	45,200 lbs
Total Loaded Weight	35,870 kg	79,080 lbs
Axle Weight without Load		
Front Axle	13,970 kg	30,800 lbs
Rear Axle	6,620 kg	14,600 lbs
Axle Weight with Load		
Front Axle	16,148 kg	35,600 lbs
Rear Axle	19,722 kg	43,480 lbs

*Weights will vary with optional items

Driving Speed (kmh/mph) with Lockup (Loaded)

Gear	0% Grade	10% Grade	15% Grade
1st	4.3 / 2.7	8.9 / 5.5	5.6 / 3.7
2nd	9.0 / 5.6	N/A	N/A
3rd	15.6 / 9.7	N/A	N/A

Box Motion Times (+/-1 s)

Raising Time	11.0 s
Lowering Time	10.0 s
Dump Angle	70 deg

Articulation Motion Times (+/-1 s)

Turning Time: Right	5.0 s
Turning Time: Left	5.0 s

Powertrain

Engine	Cummins QSB 6.7
Output	164 kW (220 hp) @2200 rpm

General	
Air Filtration	Donaldson (dry type)
Exhaust System	DOC
Fuel Tank Capacity	333 litres 88 USG

Converter	Dana CL320 series
Lock-up	Manual c/w modulation

Transmission	Dana 32000 series
Shifting	Powershift c/w modulation
Speeds	4 Forward / 4 Reverse

Axles	
Front & Rear	Dana 16D2149
Differential	Standard
Brakes	Spring-applied, hydraulically-released
Oscillation Angle	+/- 10 deg

Tires	Radial lugged
Size	17.50R25

Hydraulics

Dump Box Hydraulics
Variable displacement piston pump with load-sensing closed center circuit design for optimal efficiency. Four-stage, dual dump cylinders with double-acting first stage.

Steering Hydraulics
Variable displacement piston pump with load-sensing closed center circuit design. Monostick steering with single stage, double-action steer cylinders.

Brake System
Service brakes are spring-applied, hydraulically-released, wet multi-disk brakes on all four wheel ends. The service brakes in the wheel ends also function as the emergency and parking brakes.

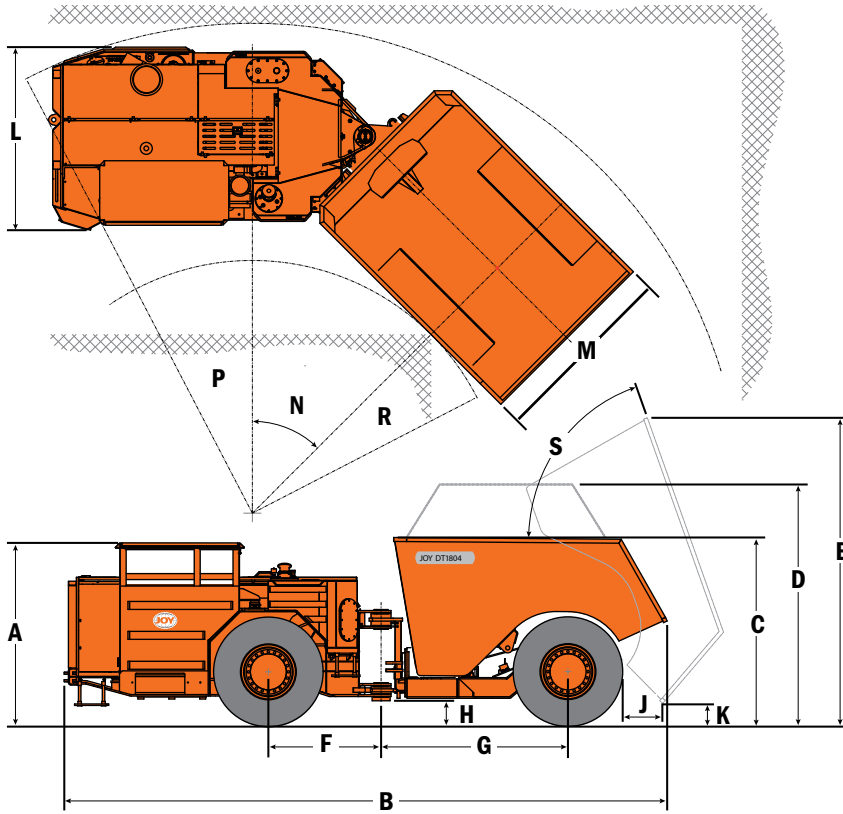
Hydraulic Tank Volume	342 litres	90 US Gal
Brake Cooling Tank	51 litres	13 US Gal

Electrical Equipment

Alternator	24V/75A
Batteries	2 x 12V
Starter	24V Heavy duty
Driving & Working Lights	4 Front / 2 Rear (LED)

Structural

Front & Rear Frames	Welded steel box construction
Material	ASTM A572 GR50 (CSA G40.21-50W)



Overall Dimensions/Standard

A	Height - top of canopy	2283 mm	7 ft 6 in
B	Tramming length	7742 mm	25 ft 4.75 in
C	Height - top of dump box	2031 mm	6 ft 8 in
D	Height - top of load	2622 mm	8 ft 7.25 in
E	Height - dump box up	3723 mm	12 ft 2.5 in
F	Length - front axle to centre hinge	1435 mm	4 ft 8.5 in
G	Length - rear axle to centre hinge	2394 mm	7 ft 10.25 in
H	Ground clearance	270 mm	10.75 in
J	Length - dump clearance	516 mm	1 ft 8.25 in
K	Height - dump clearance	241 mm	9.5 in
L	Width - max frame	2318 mm	7 ft 7.25 in
M	Width - dump box	2305 mm	7 ft 6.75 in
N	Turning angle		45 deg
P	Outside radius	6306 mm	R 20 ft 8.25 in
R	Inside radius	3359 mm	R 11 ft 0.25 in
S	Dump angle		70 deg

Options

Alternative dump box size	Operator's cab w/air conditioning
Automatic lubrication system	Reverse camera
Box liners	Spare rim
Electric transfer pump (hydraulic tank)	Tailgate
Fire suppression system	

Engine Options

Engine	Certification	Displacement	Bore	Stroke	Output	Maximum Torque	No. of Cylinders	Cooling Type	Combustion Principle	Electrical System	Governor
Cummins 6.7 (Base)	EPA Tier 3, MSHA	6.7 litres	107 mm (4.21 in)	124 mm (4.88 in)	164 kW (220 hp) @2200 rpm	949 Nm (700 ft-lbs) @1500 rpm	Inline 6	Liquid cooled	Turbocharged & charge air cooled	24 VDC	Electronic
MTU OM906LA	EPA Tier 3, EU Stage III	6.4 litres	102 mm (4.02 in)	130 mm (5.12 in)	170 kW (228 hp) @2200 rpm	809 Nm (597 ft-lbs) @1200-1600 rpm	Inline 6	Liquid cooled	Turbocharged & charge air cooled	24 VDC	Electronic



Product designs, specifications and/or data in this document are provided for informational purposes only and are not warranties of any kind. Product designs and/or specifications may be changed at any time without notice. The only warranties that apply to sales of products and services are Joy Global's standard written warranties, which will be furnished upon request.

Joy Global, Joy, P&H and related logos are trademarks of Joy Global Inc. or one of its affiliates. © 2015 Joy Global Inc. or one of its affiliates. All rights reserved.



joyglobal.com