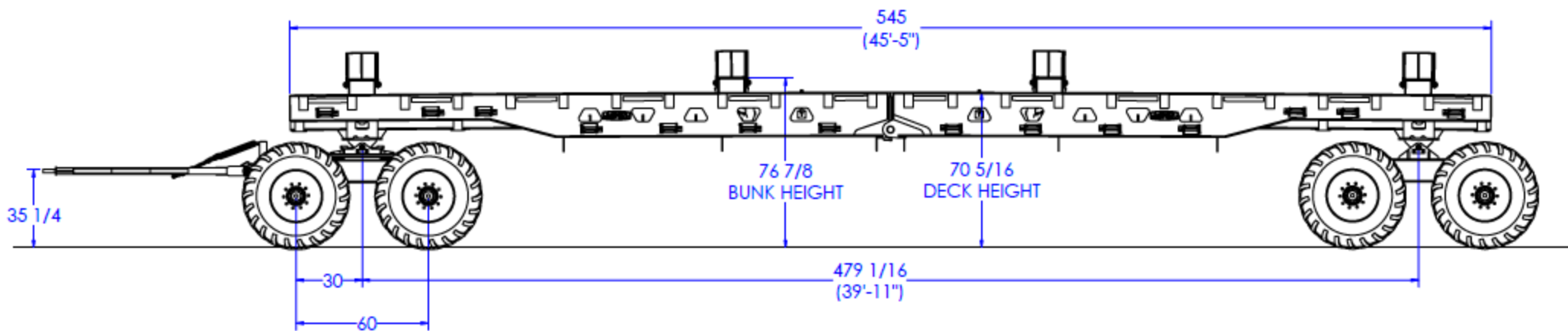
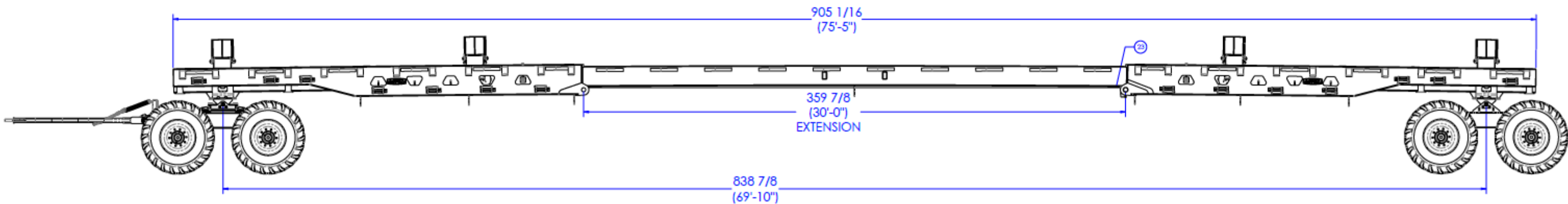
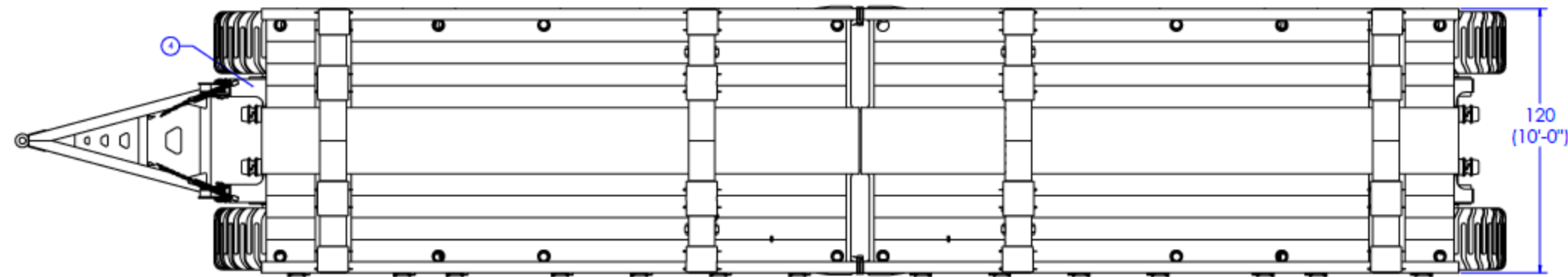
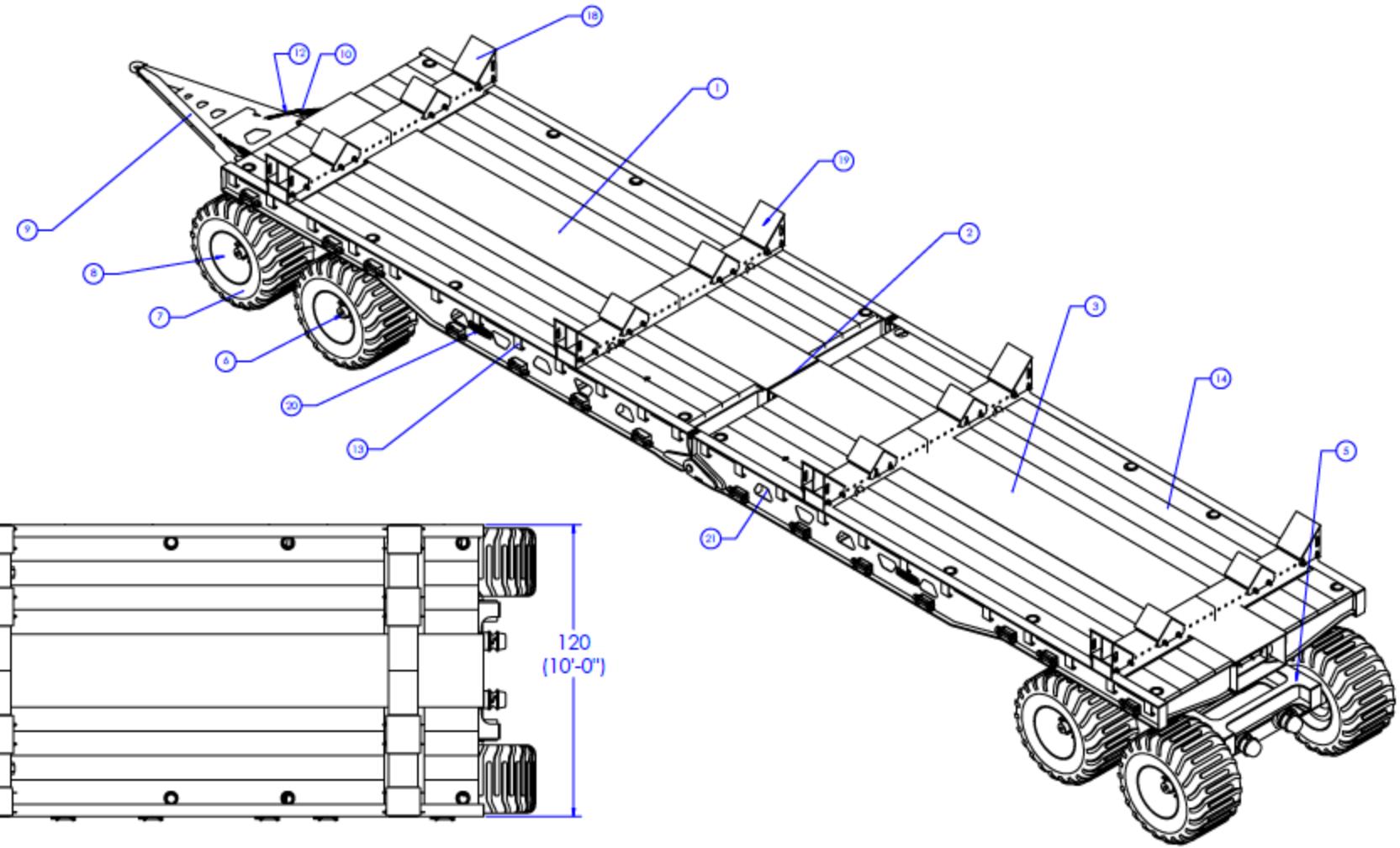




# Gladiator Equipment Inc.



23	1	EA	SA-SYSAEH-AIR-AIRWHIP-34FT		227209	5.3
22	2	EA	SA-SYSAEH-AIR-BRK		100298	11.4
21	2	EA	SA-SYS-AIR-MISC- LOCK PINS		227216	4.0
20	1	EA	SA-COMPL-DK-DO-40-4		226945	5.9
19	2	EA	SA-BUNK-OTH-PIN-PIPE CARRIER		226934	2012.8
18	2	EA	SA-BUNK-OTH-WELD-PIPE CARRIER		226929	1937.6
17	16	EA	BOLT HEX 0.625 UNC 2.000 GR 8 PLTD		00482	4.8
16	16	EA	WASHER LOCK 0.625 GR 8 PLTD		00881	0.0
15	4	EA	SA-PIN-DK-LOCK-AIR		222167	155.6
14	1	EA	SA-INSTALL-DKNG-FIR-2-DK		226905	0.0
13	1	EA	SA-INSTALL-LOAD-WCH-WELD-PP		226824	861.0
12	2	IN	CHAIN 0.375 GR 70	28.02	00080	7.0
11	2	EA	CLEWIS TWIN 0.375		01257	0.0
10	2	EA	PD-SPRING-18.750L-EXTENSION		116217	2.8
9	1	EA	SA-DRBR-OTH-A-3" EYE		151731	442.6
8	8	EA	WHEEL 24.00 X 22.5 10 UNI STL WHITE		05941	416.0
7	8	EA	TIRE 710 / 45R22.5 GALAXY TL LD 16SD		05916	2112.0
6	2	EA	SA-INSTALL-RGEAR-WB-60		226848	3994.6
5	1	EA	SA-TRUN-SUSP-WB-60		226863	1241.3
4	1	EA	SA-FRAME-DO-WB-FRONT-TURNABLE		226906	1885.9
3	1	EA	MA-MAIN-DK-40-REAR		151652	7138.2
2	1	EA	SA-BEAM-B-WELD-INNER FRAME		151625	6031.1
1	1	EA	MA-MAIN-DK-40-FRONT		151644	7030.4
ITEM	QTY.	UOM	DESCRIPTION	DIMENSIONS	PART ID	WEIGHT