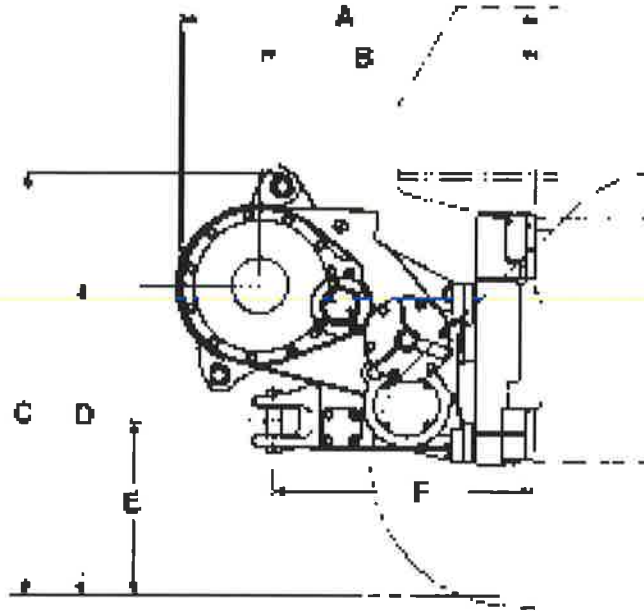


MODEL	D6T XL		D6T XW		D6T LGP	
Emission Standards	Tier 4 Final/Stage IV/ Japan 2014 (Tier 4 Final)		Tier 4 Final/Stage IV/ Japan 2014 (Tier 4 Final)		Tier 4 Final/Stage IV/ Japan 2014 (Tier 4 Final)	
Flywheel Power	151 kW	202 hp	151 kW	202 hp	151 kW	202 hp
Operating Weight: ¹						
Power Shift Differential Steer	20 985 kg	46,263 lb	21 788 kg	48,034 lb	22 902 kg	50,490 lb
VPAT	23 663 kg	52,167 lb	24 118 kg	53,170 lb	24 336 kg	53,651 lb
Engine Model	C9.3 ACERT		C9.3 ACERT		C9.3 ACERT	
Advertised Engine RPM	2000		2000		2000	
No. of Cylinders	6		6		6	
Bore	115 mm	4.5"	115 mm	4.5"	115 mm	4.5"
Stroke	149 mm	5.9"	149 mm	5.9"	149 mm	5.9"
Displacement	9.3 L	567 in ³	9.3 L	567 in ³	9.3 L	567 in ³
Track Rollers (Each Side)	7		7		8	
VPAT	7		8		8	
Width of Standard Track Shoe	560 mm	22"	760 mm	30"	915 mm	36"
VPAT	560 mm	22"	710 mm	28"	785 mm	31"
Length of Track on Ground	2.84 m	9'5"	2.84 m	9'5"	3.25 m	10'9"
VPAT	2.84 m	9'5"	3.25 m	10'9"	3.25 m	10'9"
Ground Contact Area (w/Std. Shoe)	3.54 m ²	5489 in ²	4.81 m ²	7449 in ²	6.53 m ²	10,122 in ²
VPAT	3.54 m ²	5489 in ²	5.10 m ²	7909 in ²	5.60 m ²	8684 in ²
Track Gauge	1.88 m	74"	2.03 m	80"	2.29 m	90"
VPAT	2.13 m	84"	2.29 m	90"	2.29 m	90"
GENERAL DIMENSIONS:						
Height ² (Stripped Top ³)	2.46 m	8'1"	2.46 m	8'1"	2.51 m	8'3"
VPAT	2.46 m	8'1"	2.51 m	8'3"	2.51 m	8'3"
Height ² (To Top of ROPS Canopy)	3.11 m	10'2"	3.11 m	10'2"	3.16 m	10'4"
VPAT	3.11 m	10'2"	3.16 m	10'4"	3.16 m	10'4"
Height ² (To Top of ROPS Cab)	3.15 m	10'4"	3.15 m	10'4"	3.20 m	10'6"
VPAT	3.15 m	10'4"	3.20 m	10'6"	3.20 m	10'6"
Overall Length (without Blade)	3.89 m	12'9"	3.89 m	12'9"	4.25 m	13'11"
VPAT	3.89 m	12'9"	4.25 m	13'11"	4.25 m	13'11"
with S Blade	—	—	—	—	5.50 m	18'1"
with SU Blade	5.33 m	17'6"	5.33 m	17'6"	—	—
with VPAT Blade	5.39 m	17'8"	5.53 m	18'2"	5.53 m	18'2"
with Angle Blade	5.21 m	17'1"	5.29 m	17'4"	5.81 m	19'1"
Width (over Trunnion)	2.69 m	8'10"	2.94 m	9'8"	3.48 m	11'5"
Width (w/o Trunnion — Std. Track)	2.59 m	8'6"	2.79 m	9'2"	3.20 m	10'6"
VPAT	2.72 m	8'11"	3.00 m	9'10"	3.14 m	10'4"
Ground Clearance ²	372 mm	1'3"	372 mm	1'3"	406 mm	1'4"
VPAT	372 mm	1'3"	406 mm	1'4"	406 mm	1'4"
Blade Types and Widths:						
Straight	—	—	—	—	4.06 m	13'4"
Angle Straight	4.16 m	13'8"	4.52 m	14'10"	5.07 m	16'8"
Full 25° Angle	3.77 m	12'5"	4.11 m	13'6"	4.63 m	15'2"
Semi-U	3.26 m	12'8"	3.56 m	11'8"	—	—
VPAT						
Straight	3.88 m	12'9"	4.16 m	13'8"	4.16 m	13'8"
Full 24° Angle	3.54 m	11'7"	3.79 m	12'5"	3.79 m	12'5"
Fuel Tank Refill Capacity	411 L	109 U.S. gal	411 L	109 U.S. gal	411 L	109 U.S. gal
DEF Tank Refill Capacity	17.1 L	4.5 U.S. gal	17.1 L	4.5 U.S. gal	17.1 L	4.5 U.S. gal

¹ Operating weight includes cab, operator, lubricants, coolant, full fuel tank, standard track, hydraulic controls and fluid, SU blade and drawbar.

² Dimensions measured from ground line. Add grouser height for total dimension on hard surfaces.

³ Height (Stripped Top) — without ROPS canopy, exhaust, seat back or other easily removed encumbrances.



WINCH MODEL	PA56			
	D6R, D6R XL, D6T, D6T ⁵ XL, XL VPAT, XW		D6R LGP, D6T ⁵ XW VPAT, LGP, and LGP VPAT	
TRACTOR MODEL				
Tractor transmission	Powershift		Powershift	
Winch drive	PTO		PTO	
A Tractor to rear of winch	1210 mm	47.7"	1210 mm	47.7"
B Tractor to drum centerline	945 mm	37.7"	945 mm	37.7"
C Ground to top of winch	1530 mm	60.2"	1580 mm	62.2"
D Ground to drum centerline	1160 mm	45.7"	1210 mm	47.7"
E Ground to center of hitch	725 mm	28.5"	775 mm	30.5"
F Tractor to drawbar pin centerline	910 mm	35.8"	910 mm	35.8"
Winch width (not shown) ¹	975 mm	38.3"	975 mm	38.3"
Drum diameter (not shown)	255 mm	10.0"	255 mm	10.0"
Weight ²	1180 kg	2600 lb	1180 kg	2600 lb
Oil refill capacity	67 L	17.75 U.S. gal	67 L	17.75 U.S. gal
Wire rope diameter:				
Recommended	22 mm	0.88"	22 mm	0.88"
Optional	26 mm	1.0"	26 mm	1.0"
Maximum theoretical drum capacity: ³				
Recommended rope	85 m	281'	85 m	281'
Optional rope	66 m	218'	66 m	218'
Maximum recommended drum capacity: ⁴				
Recommended rope	55 m	180'	55 m	180'
Optional rope	50 m	163'	50 m	163'
Wire rope ferrule size (OD)	54 mm	2.13"	54 mm	2.13"
Wire rope ferrule size (length)	67 mm	2.63"	67 mm	2.63"

¹Width does not include mounting brackets/adapters (if any).

²Weight shown is base winch only. Does not include mounting arrangement, control arrangement, oil, or wire rope.

³Per SAE J1158.

⁴Per SAE J706 (K=9).

⁵Meets Tier 4 Final/Stage IV/Japan 2014 (Tier 4 Final) emission standards.

Blade Selection

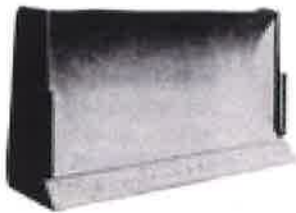
- General Purpose Dozing Tools
- Special Application Dozing Tools



“CD” — The CD or Carry-Dozer Blade is available for the D11T CarryDozer only. It is built to the same high standard of structural integrity as the “U” and “SU” Dozers. The CD Blade has

a unique “bucket” shape that allows it to carry several cubic yards or cubic meters of material in the blade. This acts as a disposable counterweight that allows the CarryDozer to push more material per pass than a standard D11T. The CarryDozer will not be as effective as the “U” or “SU” dozer in tightly packed or poorly shot material. It is also more sensitive to the carry-back in sticky materials.

General Purpose Dozing Tools



“S” — The Straight blade provides excellent versatility. Since it is physically smaller than the SU or U-blade, it is easier to maneuver and can handle a wider range of materials. It has a higher kW/ meter (HP/foot)

of cutting edge than the SU or U-blade; consequently, the “S” is more aggressive in penetrating and obtaining a blade load. A tilt cylinder increases both the productivity and versatility of this dozer. With a high kW/Lm³ (HP/LCY), the S-blade can handle heavy material easily.



Power Angle and Tilt Blade — Versatility is its key feature with its ability to perform a variety of site development to general dozing work as well as heavy-duty applications.

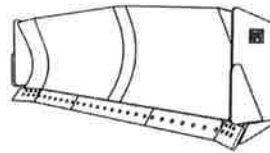
Angle and tilt control is with 2 levers on some machines, 1 lever on others.

Variable Power Angle and Tilt (VPAT) blade can be mechanically tipped forward for improved penetration or shedding sticky material and backward for finish grading and improved productivity.

Special Application Dozing Tools

Caterpillar provides specialty bulldozers for specific applications. The blades are designed to increase production while performing certain tasks. Following are the most popular special applications blades.

Variable Radius (VR) Blades



Variable Radius Semi-U Blades are excellent tools for land improvement, soil conservation, site development or general construction. They combine the

penetration ability of a Semi-U Blade with the load retention and high capacity of a U-blade.

They provide the aggressive cutting action needed for digging, while having the material retention characteristics needed for moving high volumes over a distance. This is accomplished through a moldboard which varies in radius from the edge to the center. This creates a rolling action in the material being moved, pushing it to the center of the blade for better retention. The extended side wings, angled to thirty degrees, further increase the capacity over a standard blade.

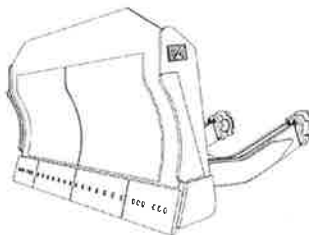
Angle Blade (A-Blade)



“A” — Or Angling blade can be positioned straight or angled 25 degrees to either side. It is designed for side-casting, pioneering roads,

backfilling, cutting ditches and other similar tasks. It can reduce the amount of maneuvering required to do these jobs. Its “C” frame can be used for attachments such as pushing, land clearing, or snow removal tools. A-blades are not recommended for rock or severe applications.

Cushion Dozers



Cushion Dozers are designed to push-load wheel-tractor scrapers, or track-type tractors. The heavy-duty design includes reinforcement to transfer machine power without damaging the blade or the

tractor. Blade cylinders are pinned to the C-frame, and the blade height is such that the blade lift cylinders are isolated from damaging forces.

Bulldozers

Blade Specifications

• D6T

MODEL	D6T							
	6A XL		6SU XL		6VPAT XL		6A XW	
Gauge	1.88 m	74"	1.88 m	74"	2.13 m	84"	2.03 m	80"
Type	Angling		Semi-Universal		VPAT		Angling	
Blade Capacities*	3.94 m ³	5.15 yd ³	5.55 m ³	7.26 yd ³	4.64 m ³	6.07 yd ³	4.35 m ³	5.69 yd ³
Weight, Shipping** (Dozer)	3086 kg	6803 lb	2831 kg	6242 lb	3464 kg	7637 lb	3731 kg	8226 lb
Tractor and Dozer Dimensions:								
A Length (Blade Straight)	5.21 m	17'1"	5.33 m	17'6"	5.39 m	17'8"	5.29 m	17'4"
Length (Blade Angled)	6.05 m	19'10"	—	—	3.54 m	11'7"	6.20 m	20'4"
Width (Blade Angled)	3.77 m	12'5"	—	—	3.49 m	11'5"	4.11 m	13'6"
Width (with C-Frame only)	2.99 m	9'10"	—	—	—	—	3.29 m	10'10"
Blade Dimensions:								
B Width (including std. end bits)	4.16 m	13'8"	3.26 m	10'8"	3.88 m	12'9"	4.52 m	14'10"
C Height	1154 mm	3'10"	1407 mm	4'7"	1294 mm	4'3"	1153 mm	3'9"
D Max. Digging Depth	555 mm	1'10"	501 mm	1'7"	792 mm	2'7"	541 mm	1'9"
E Ground Clearance @ Full Lift	1112 mm	3'7"	1180 mm	3'10"	1053 mm	3'5"	1139 mm	3'9"
G Max. Pitch Adjustment	—	—	+4.0° to -4.0°	—	+0.5° to -3.1°	—	—	—
H Max. Hydraulic Tilt	424 mm	1'5"	811 mm	2'8"	410 mm	1'4"	424 mm	1'5"
Blade Angle	25°	—	—	—	24°	—	25°	—
J Hydraulic Tilt (Manual Brace Centered)	—	—	455 mm	1'6"	—	—	—	—
K Push Arm Trunnion Width (to Ball Centers)	2.58 m	8'6"	2.58 m	8'6"	—	—	2.89 m	9'8"

MODEL	D6T							
	6SU XW		6A LGP		6S LGP		6VPAT LGP/XW	
Gauge	2.03 m	80"	2.29 m	90"	2.29 m	90"	2.29 m	90"
Type	Semi-Universal		Angling		Straight		VPAT	
Blade Capacities*	5.64 m ³	7.38 yd ³	4.94 m ³	6.46 yd ³	3.79 m ³	4.96 yd ³	5.02 m ³	6.57 yd ³
Weight, Shipping** (Dozer)	2976 kg	6562 lb	3745 kg	8255 lb	2720 kg	5997 lb	3558 kg	7845 lb
Tractor and Dozer Dimensions:								
A Length (Blade Straight)	5.33 m	17'6"	5.81 m	19'1"	5.50 m	18'1"	5.53 m	18'2"
Length (Blade Angled)	—	—	6.81 m	22'4"	—	—	—	—
Width (Blade Angled)	—	—	4.63 m	15'2"	—	—	3.72 m	12'2"
Width (with C-Frame only)	—	—	3.77 m	12'5"	—	—	—	—
Blade Dimensions:								
B Width (including std. end bits)	3.56 m	11'8"	5.07 m	16'8"	4.06 m	13'3"	4.16 m	13'8"
C Height	1407 mm	4'7"	1150 mm	3'9"	1108 mm	3'8"	1294 mm	4'3"
D Max. Digging Depth	502 mm	1'7"	853 mm	2'10"	590 mm	1'11"	743 mm	2'5"
E Ground Clearance @ Full Lift	1180 mm	3'10"	1004 mm	3'3"	1094 mm	3'7"	1102 mm	3'7"
G Max. Pitch Adjustment	+4.0° to -4.0°	—	—	—	+4.4° to -4.4°	—	+0.5° to -3.1°	—
H Max. Hydraulic Tilt	791 mm	2'7"	618 mm	2'0"	747 mm	2'5"	435 mm	1'5"
Blade Angle	—	—	24.2°	—	—	—	24°	—
J Hydraulic Tilt (Manual Brace Centered)	442 mm	1'5"	—	—	399 mm	1'4"	—	—
K Push Arm Trunnion Width (to Ball Centers)	2.89 m	9'8"	3.42 m	11'5"	3.42 m	11'5"	—	—

*Blade capacities as determined by SAE J1265.

Notice that the capacity of the SU-blade is the volume carried by a straight blade of the same dimensions plus the volume included in the "cup" of the SU-blade. It is intended for **relative comparisons of dozer sizes**, and not for predicting capacities or productivities in actual field conditions.

**Shipping Weight — Total Bulldozer Arrangement includes: Blade, push arms or C-frame, braces, cylinders, lines, trunnions and lift cylinder mountings.